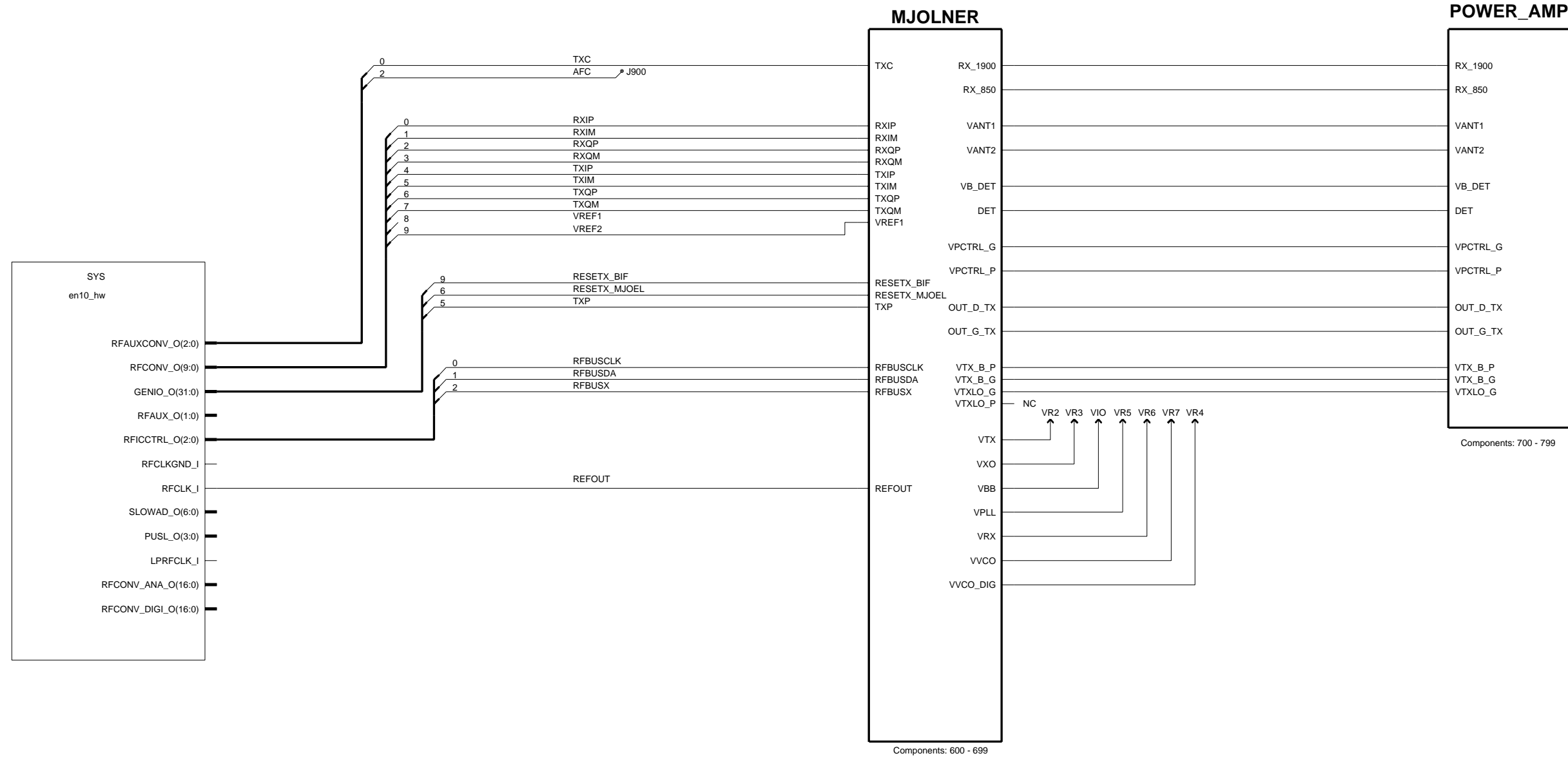
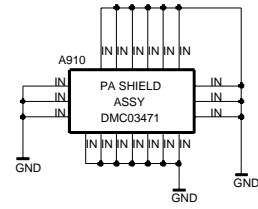
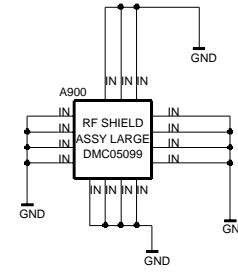
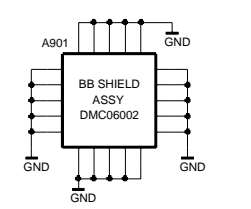
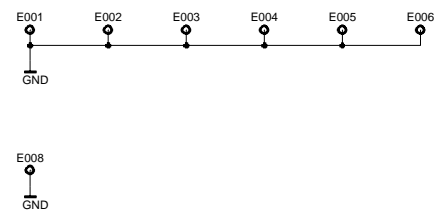


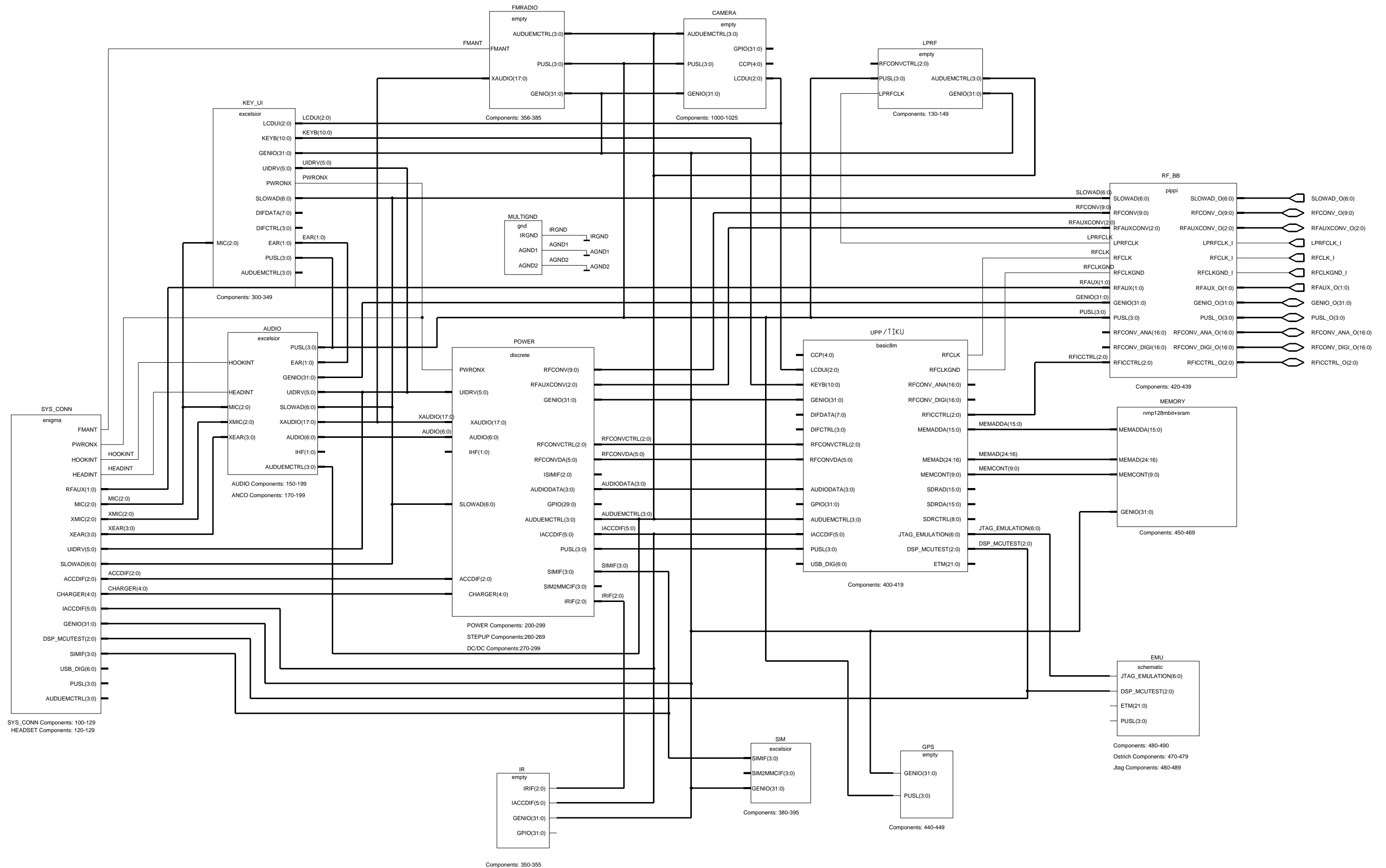
Top Level Schematic (FDK VCO)



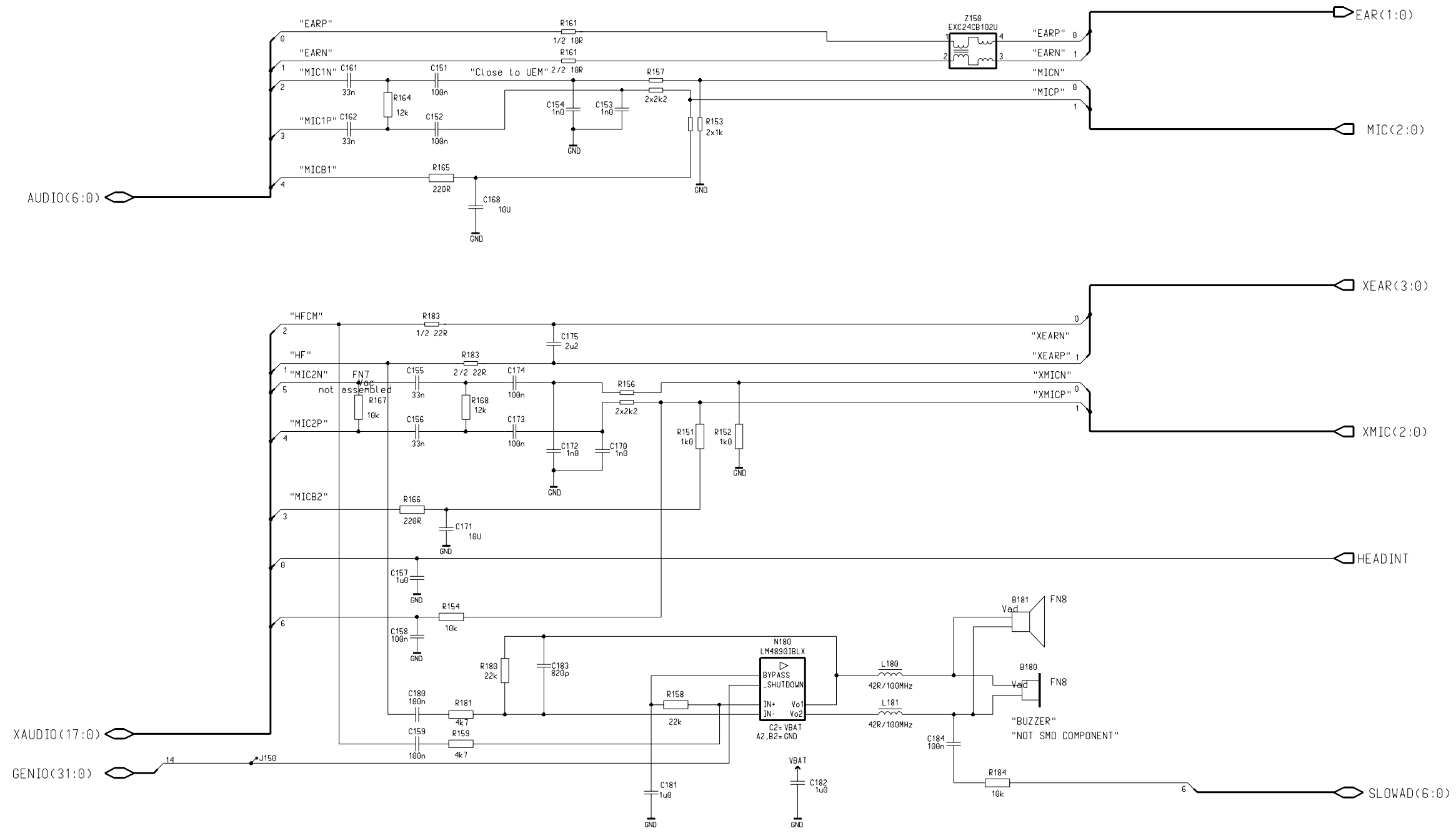
Shield Sheet for FDK VCO



DCT4 Common Baseband Schematic (Top Level)

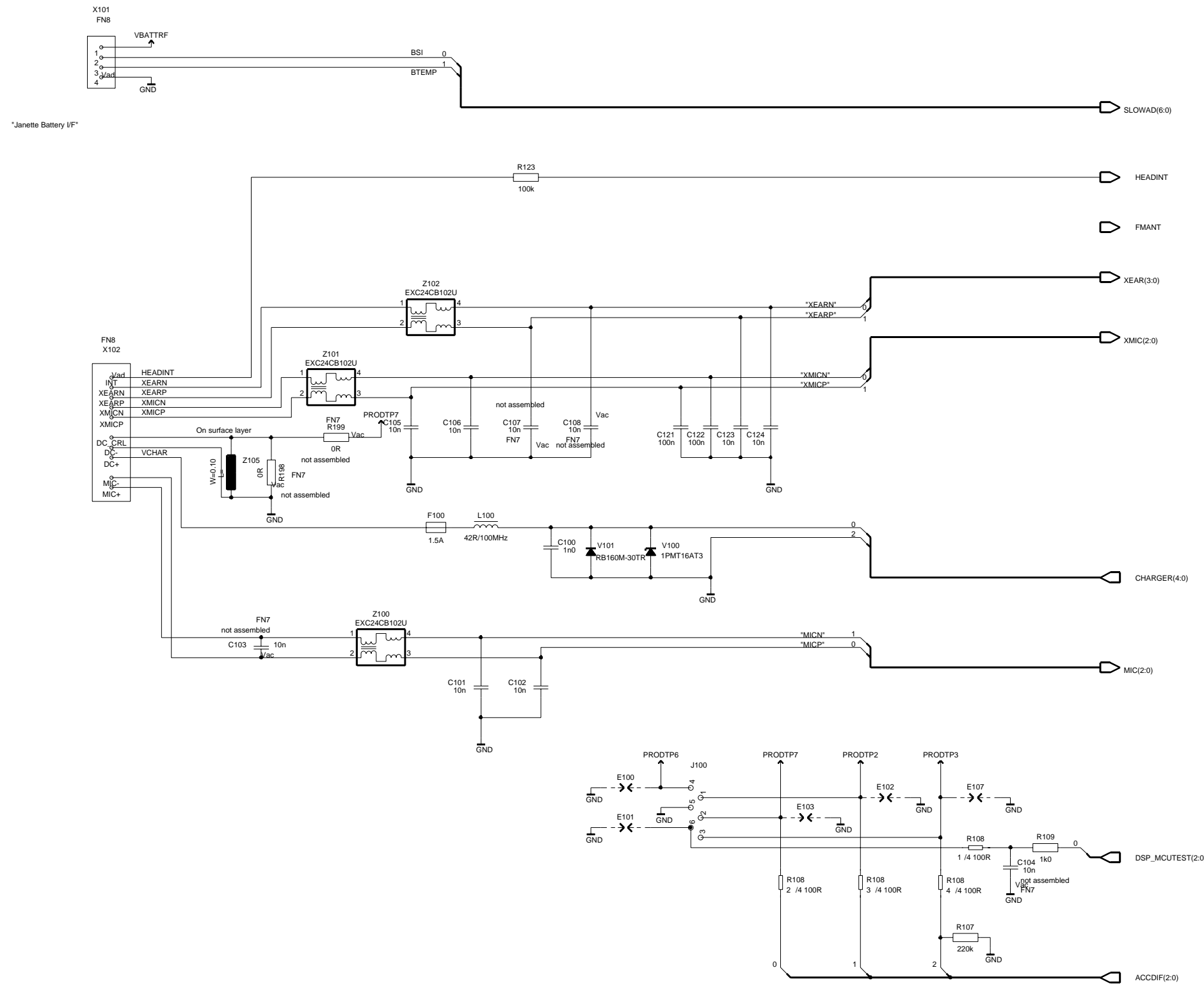


Audio Interface



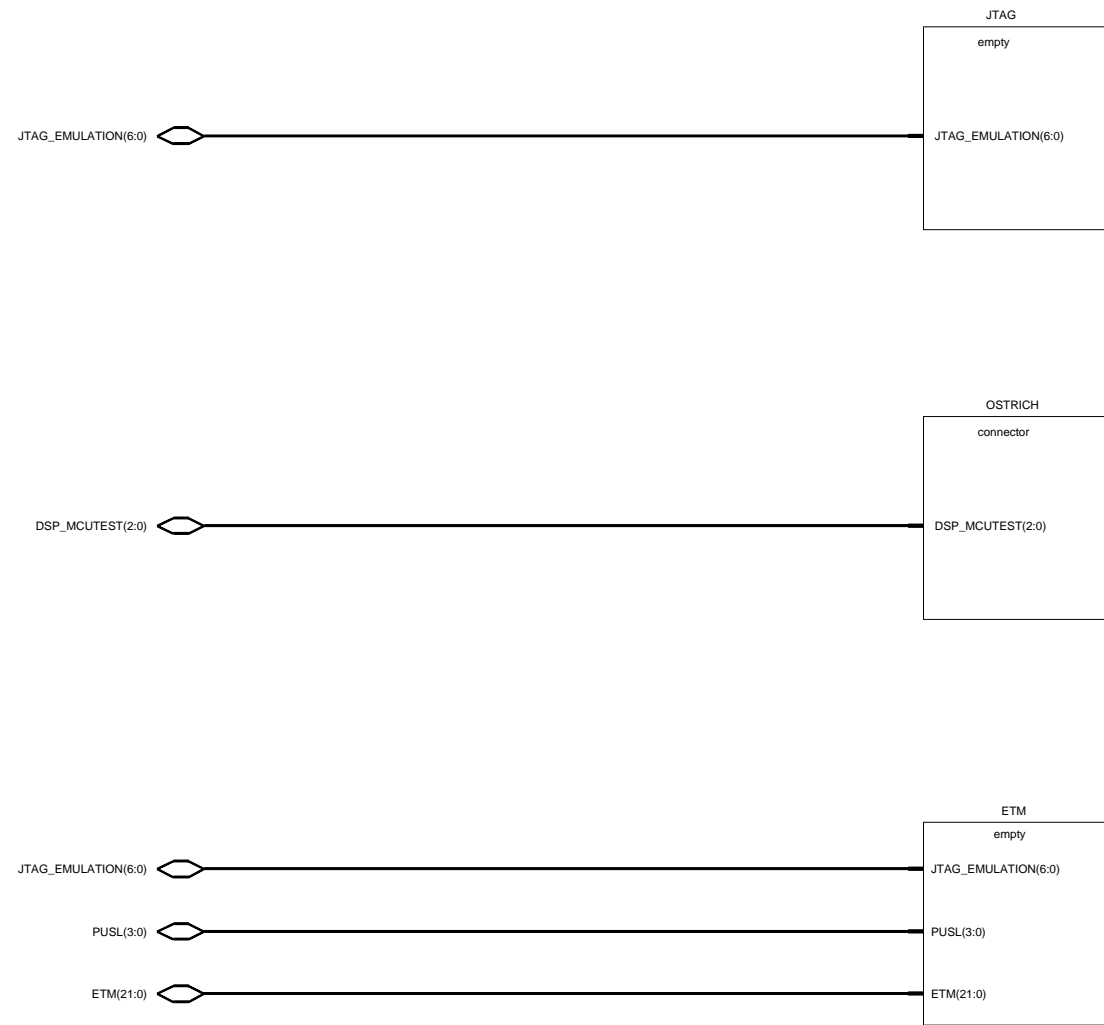
System Connector

For After Sales

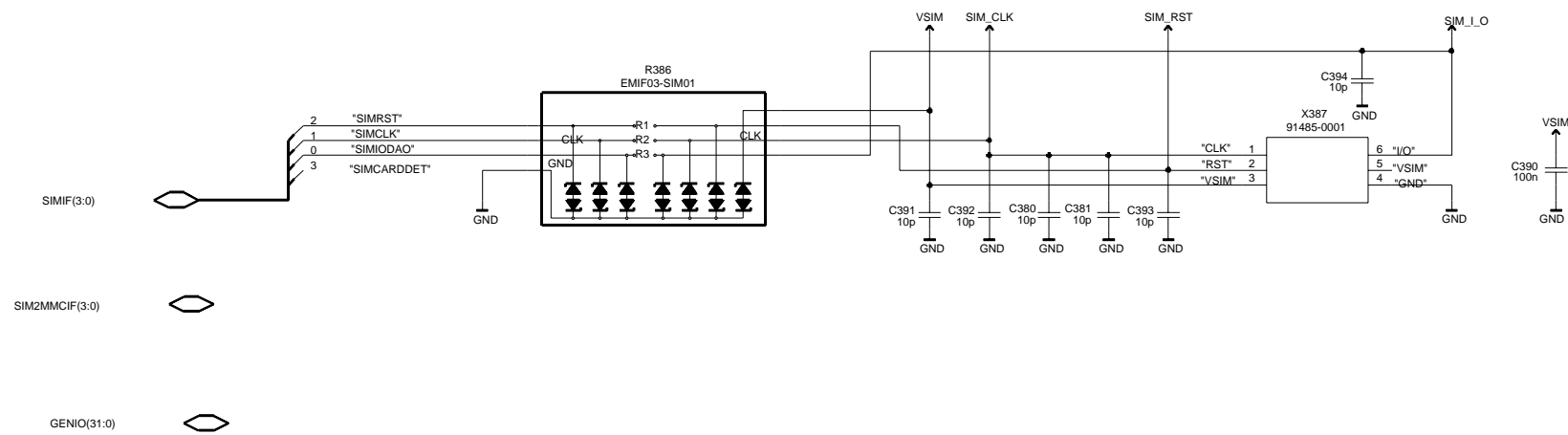


- UIDRV(5:0)
- IACCDIF(5:0)
- RFAUX(1:0)
- PWRONX
- SIMIF(3:0)
- HOOKINT
- GENIO(31:0)
- USB_DIG(6:0)
- PUSL(3:0)
- AUDUEMCTRL(3:0)

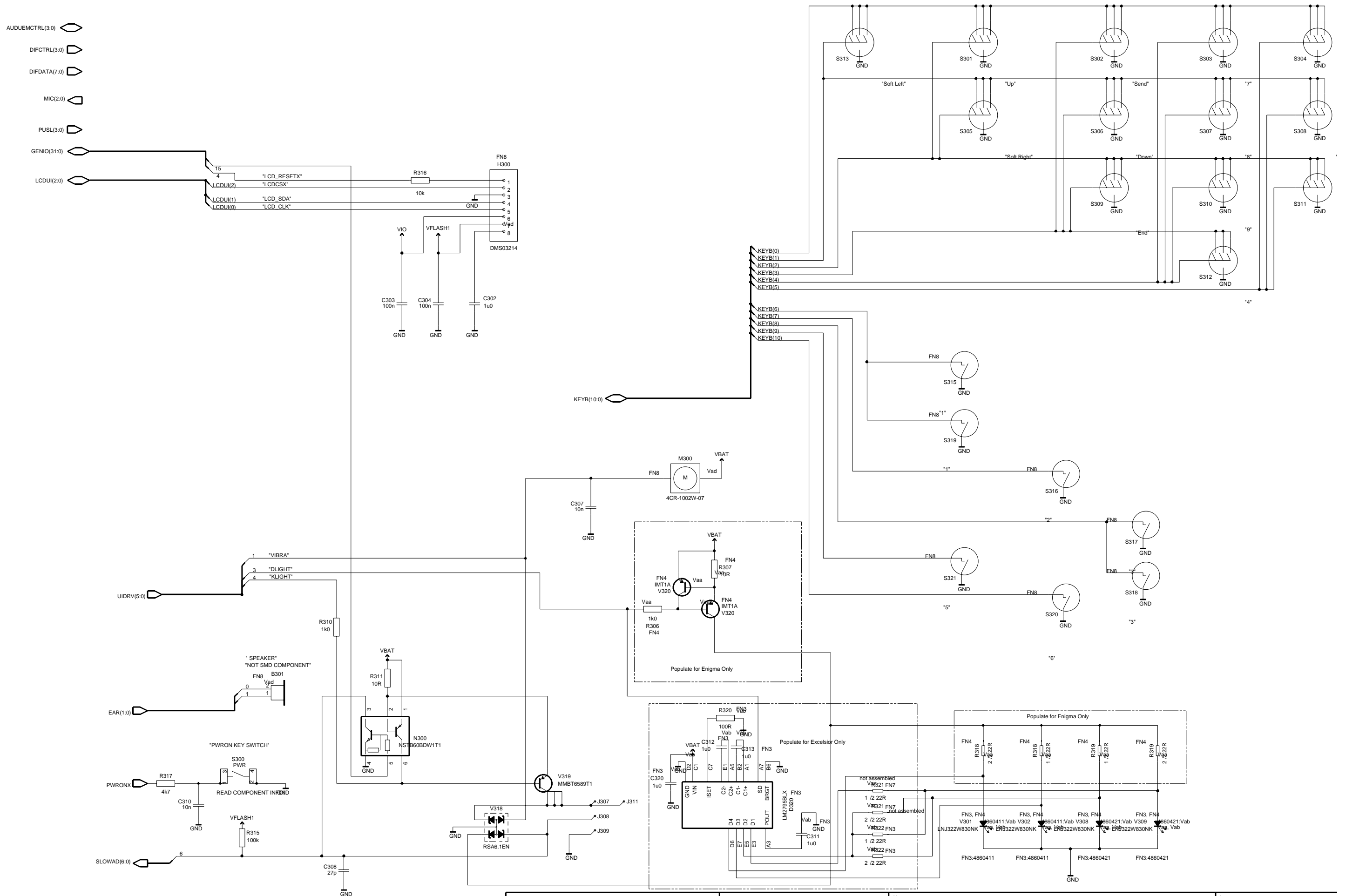
Test and Emulator Interface



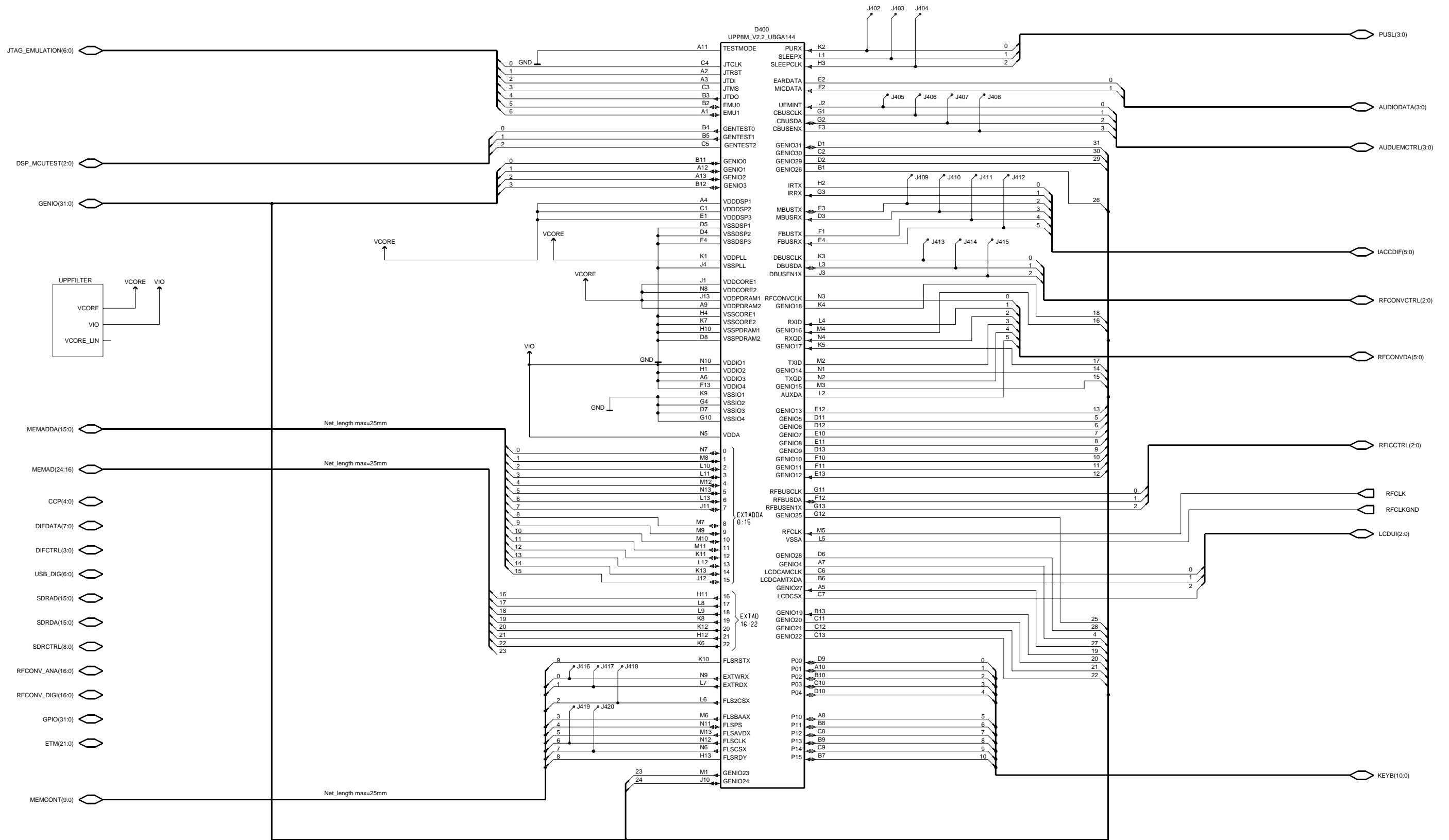
SIM Reader



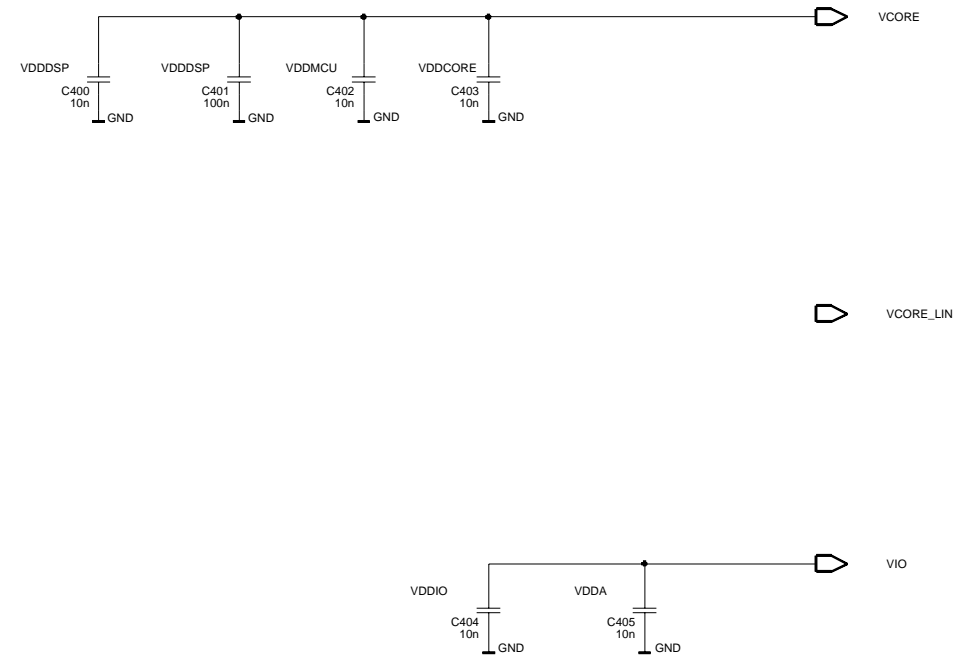
User Interface



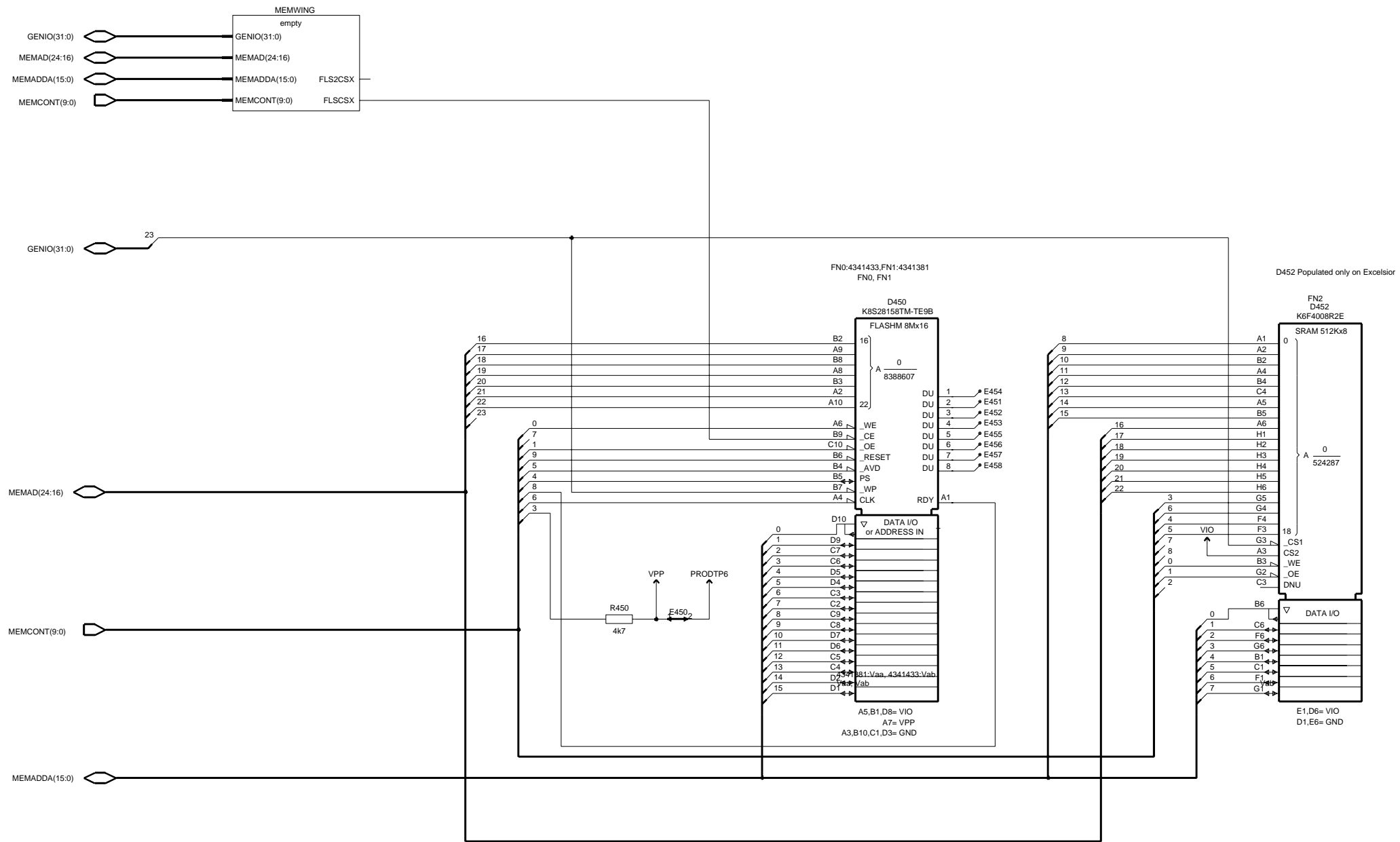
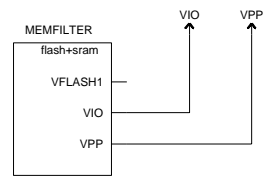
UPP 8M Implementation



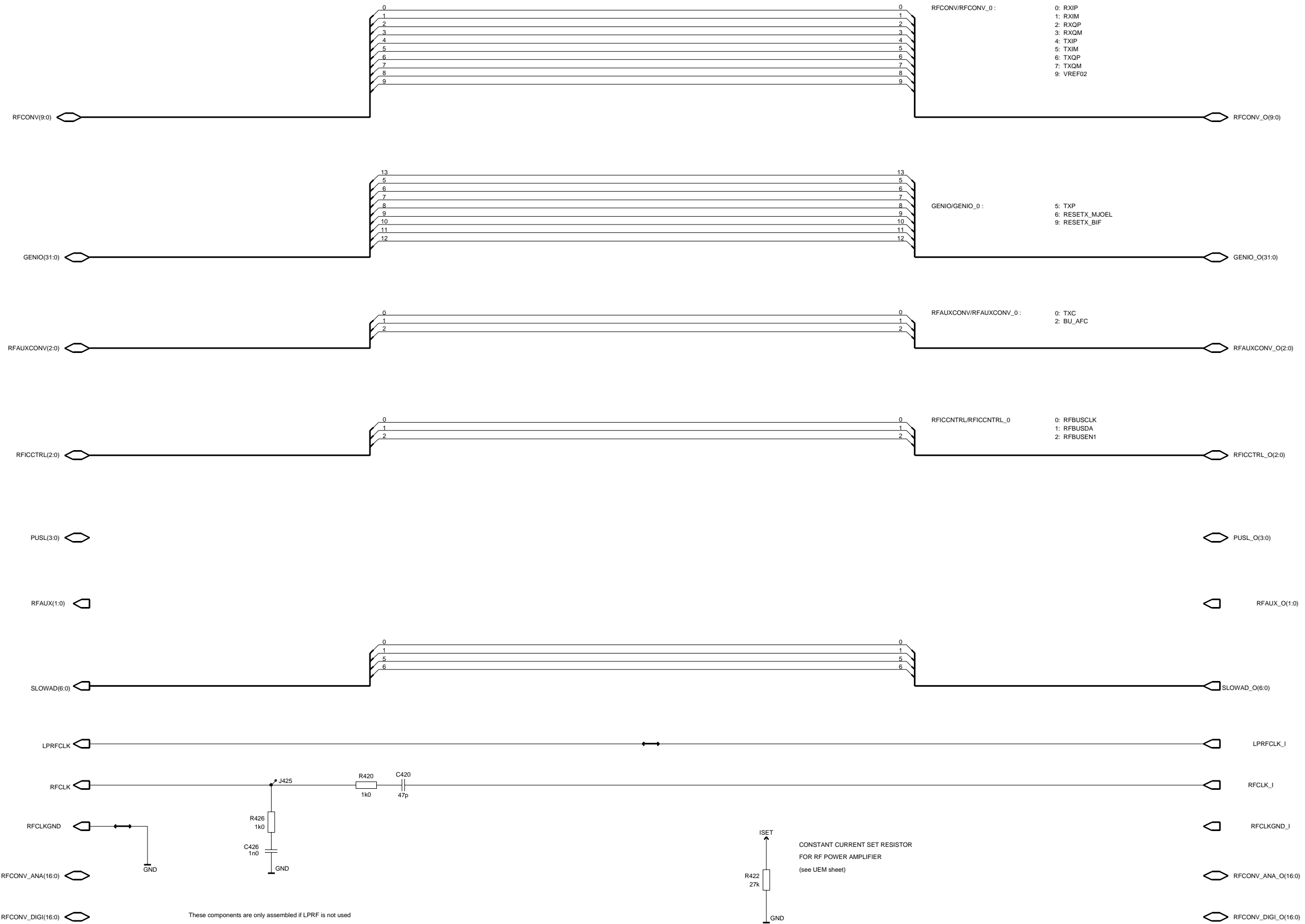
Discrete decoupling capacitors for UPP



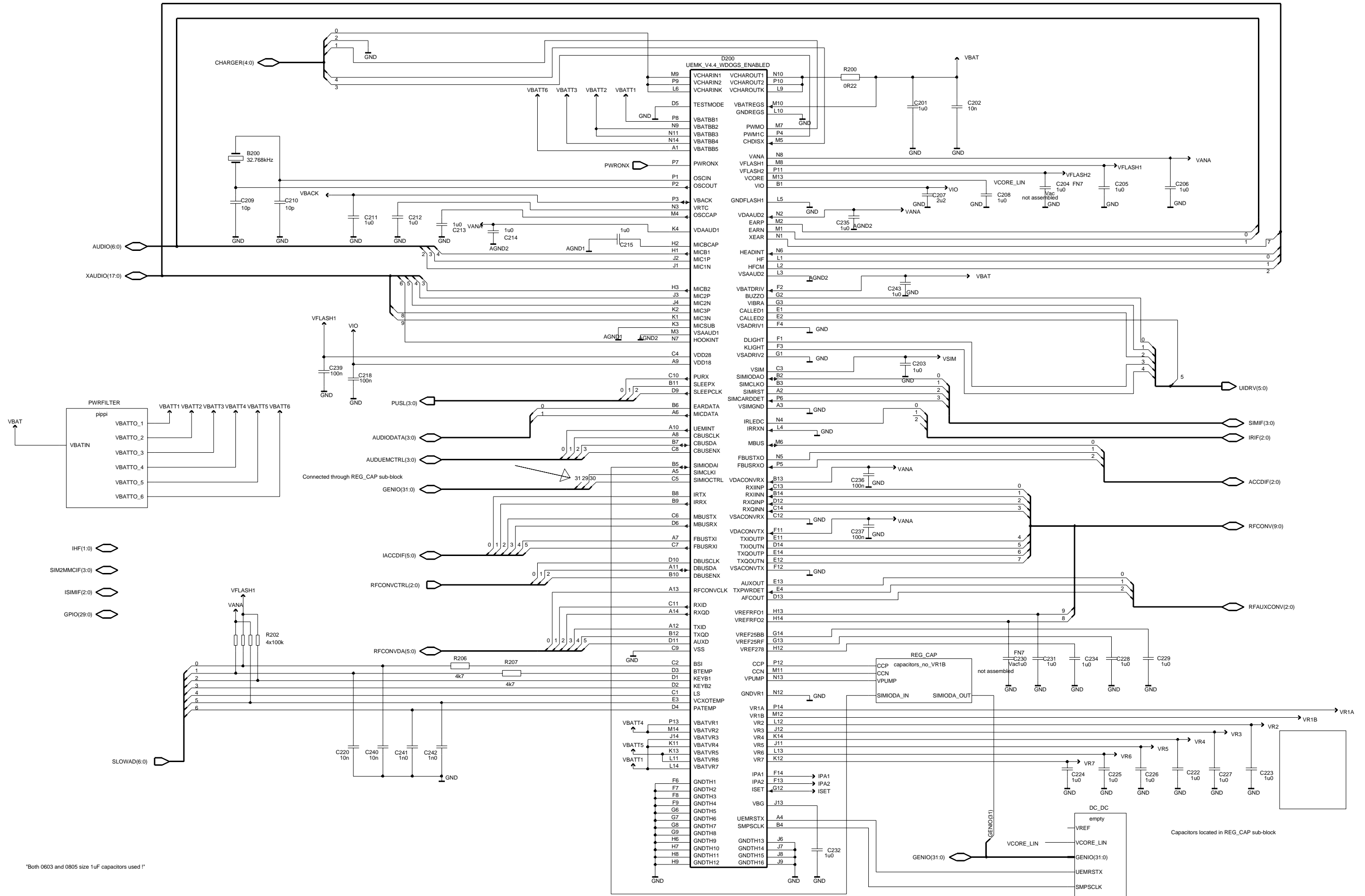
Intel 128 Mbit + 4 Mbit SRAM



RF/BB Clark Sheet

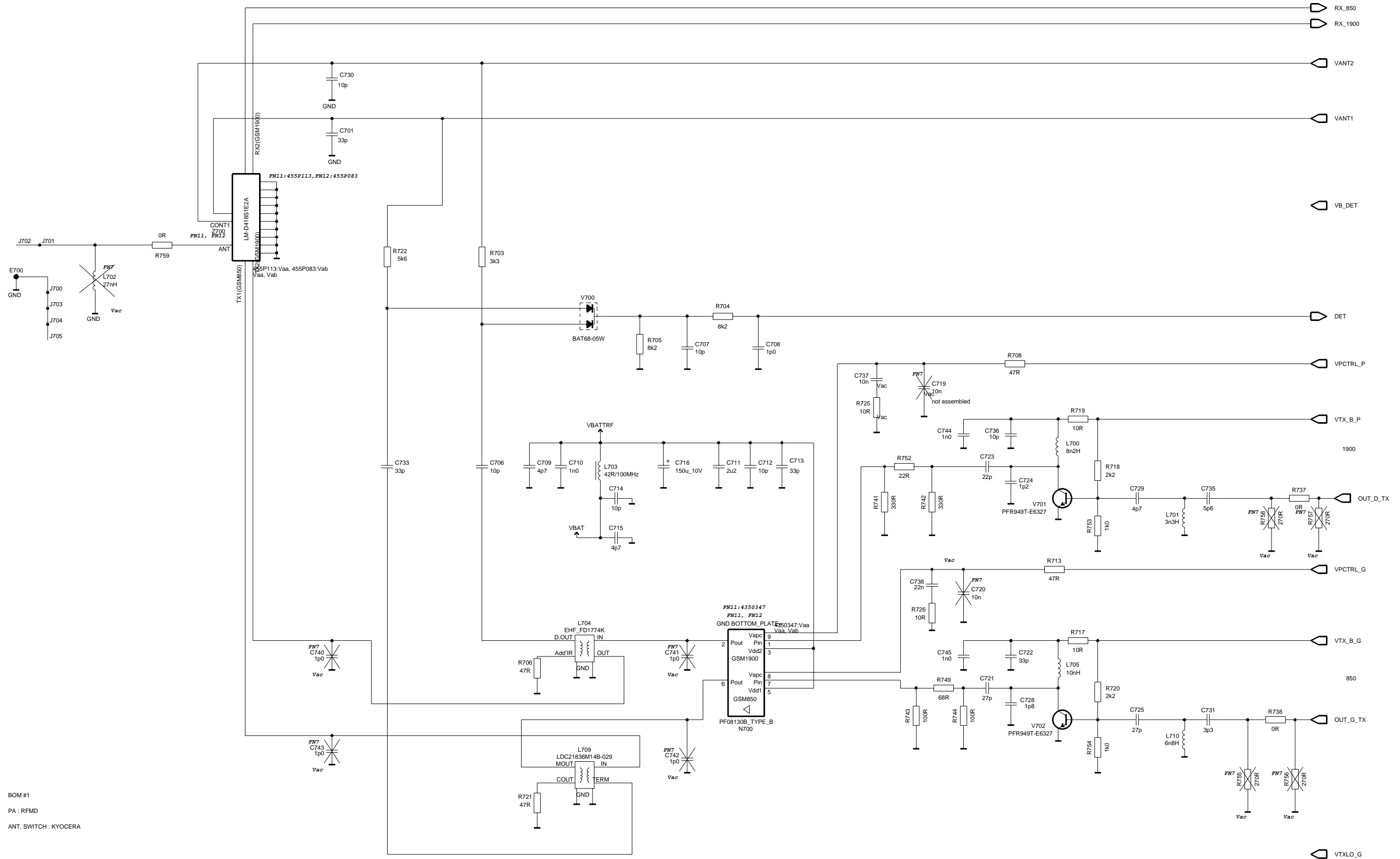


Discrete Power Management

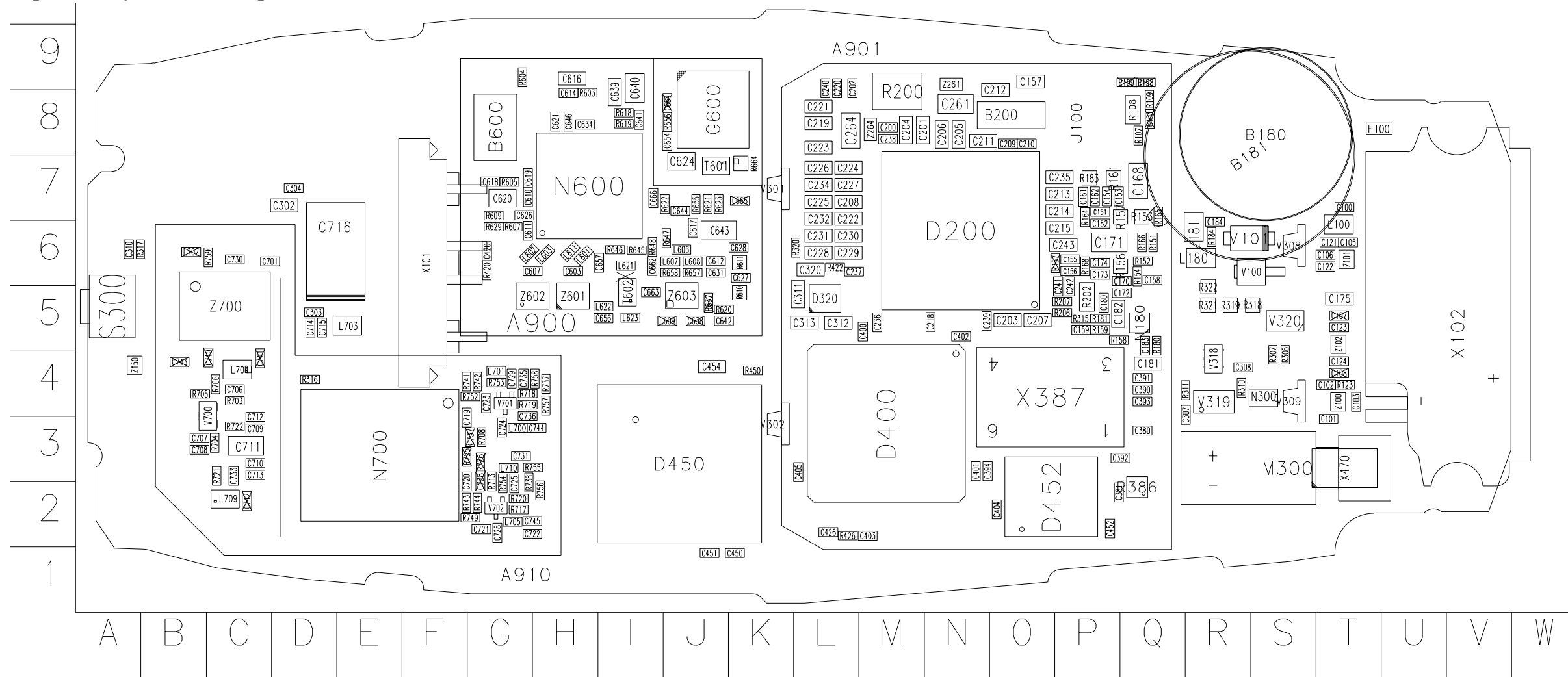


*Both 0603 and 0805 size 1uF capacitors used!

Power Amplifier



Component Layout (3595)- Top



Component Layout (3595) - Bottom

